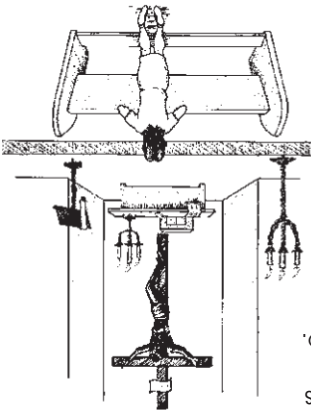
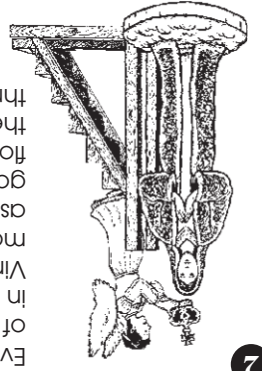


When I was eight years old my family moved back to Rio de Janeiro. Although I was a very dedicated Catholic young girl, I always wanted to know more than what I was learning in church. I was very curious and wanted to know more about God, Jesus and the saints.

(Continues on the inside)



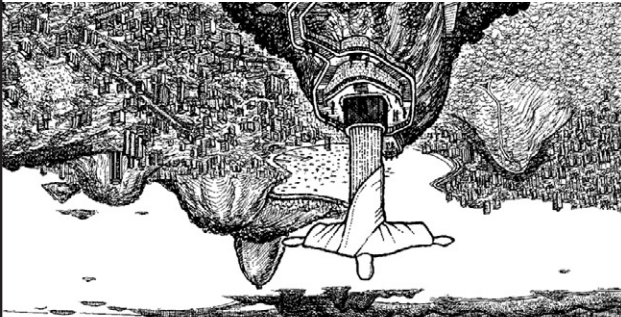
Every year during the month of May I would participate in the "coronation of the Virgin Mary" ceremony. My mother would dress me up as an angel and we would go out to sing and throw flower petals at the feet of the image as it was carried through the streets.



2

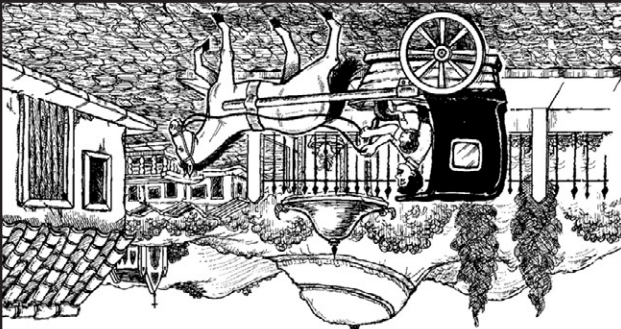
Please open (unfold) and read inside.

My name is Monica. I was born to a Catholic family in Rio de Janeiro, Brazil in 1957.

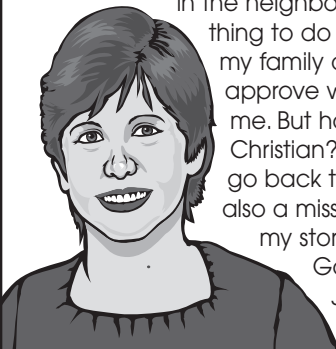


1

When I was two years old my family moved to a little tourist town up in the mountains.



7 When I got home my mother immediately asked me: "what happened to **you**? You look so happy!" It was true. Something deep down inside of me had changed. I now wanted to read the Bible all the time. I started going to a Baptist church because I found others there who had had an experience with Jesus much like mine. At first I went through some really tough times because my friends at school and in the neighborhood didn't want anything to do with me anymore. Even my family didn't understand or approve what was happening to me. But how could I deny being a Christian? I no longer wanted to go back to my old life. Now I am also a missionary... and I hope that my story will help you trust in God and give your life to Jesus. Why don't you do that **right now**?



Monica is a missionary with the International Mission Board of the Southern Baptist Convention. She is married to John Hatton. They have two beautiful daughters, Monique and Melissa.

Read the Bible. Pray. Join a Christian church that teaches Jesus as the only way to God. **J 3:16**

© 2005 - J 3:16 - Written and distributed without permission as long as tracts are given free of charge. Illustrations by John Hatton.

The day that my life changed



Scripture quotations from the NIV

3



I had no access to a Bible because my family and church considered it such a holy book that no one, they thought, should even touch it.

By the time I was fourteen years old I was already agonizing over many questions and doubts: **where did we come from after all? Where are we going after we die? Does God really care about us or does He just live "way up there", far away from us and our problems?**

On the way home from school I would sit in a church all alone and would think about these questions for several hours at a time.

4

One day I shared all of this with a friend and told him about all the questions and doubts I had. All of the sudden he had an idea: "why don't you talk to my sister? She is a missionary and can answer all of these questions", he said with confidence.

I didn't know what a *missionary* was, but I did know I wanted some answers! We immediately went to his house and found his sister, Beth Bandeira, there. She was a student of the "Word of Life Bible Institute" of Brazil.



5

When I arrived and explained why I needed her help, Beth went straight to the subject. She grabbed a pamphlet called "The 4 Spiritual Laws" and handed me her Bible. (This was the first time I held - and read - a Bible!) She read the pamphlet and helped me follow along in her Bible. These are the 4 "laws" - or truths - that I discovered that day:

**1) God loves you and has a purpose for your life.** The part (verse) from the Bible that I read was: "For God so loved the world that he gave his one and only Son, that whoever believes in him shall not perish but have eternal life." (John 3:16)

**2) You are a sinner and, for that reason, have been separated from God.** I read these verses: "For all have sinned and fall short of the glory of God." (Romans 3:23)  
"For the wages of sin is death, but the gift of God is eternal life in Christ Jesus our Lord." (Romans 6:23)

6

**3) Only Jesus can pay the price for your sins:**  
"But God demonstrates his own love for us in this: While we were still sinners, Christ died for us." (Romans 5:8)  
"For it is by grace you have been saved, through faith - and this not from yourselves, it is the gift of God - not by works, so that no one can boast." (Ephesians 2:8,9)

**4) All you need to do is repent, believe and accept Jesus as your Savior:**  
"If we confess our sins, he is faithful and just and will forgive us our sins and purify us from all unrighteousness." (1 John 1:9)  
"Yet to all who received him, to those who believed in his name, he gave the right to become children of God." (John 1:12)  
"Everyone who calls on the name of the Lord will be saved." (Rom. 10:13)

Beth asked me if I was ready to give my life to God and invite Jesus to be my Lord and Savior, right then and there. Although I didn't understand all the details, I knew that this was what I wanted to do more than anything in the world. "Yes!", I answered. Then Beth helped me to pray like this: **Father, thank you for your love for me! I confess I have sinned and ask you to please forgive me. I know that Jesus is the way, the truth and the life and no one can come to you except through him. I ask you to come into my heart to be my Lord and Savior. From now on I want to live for you. In Jesus name, amen.**



Continues on back (page 7) ▶